



How to use the IO signal of the lock relay of the face terminal

Title:	How to use the IO signal of the lock relay of the face terminal	Version:		Date:	09/29/2024
Product:				Page:	

Preparation

Type	Model	Version
Software		
Access Control Terminal	DS-K1T673DBWFX	

How to use the IO signal of the lock relay of the face terminal

Introduction: if you want connect to the 3rd turnstile and need our face terminal provide IO signal. This article will introduce how to use the IO signal of the lock relay of the face terminal.

HIKVISION Products Solutions Support Partners Commercial Display Global EN Search

DS-K1T673DBWFX Home > Access Control > Face Recognition Terminals > Pro Series >

NEW
Pro Face Access Terminal

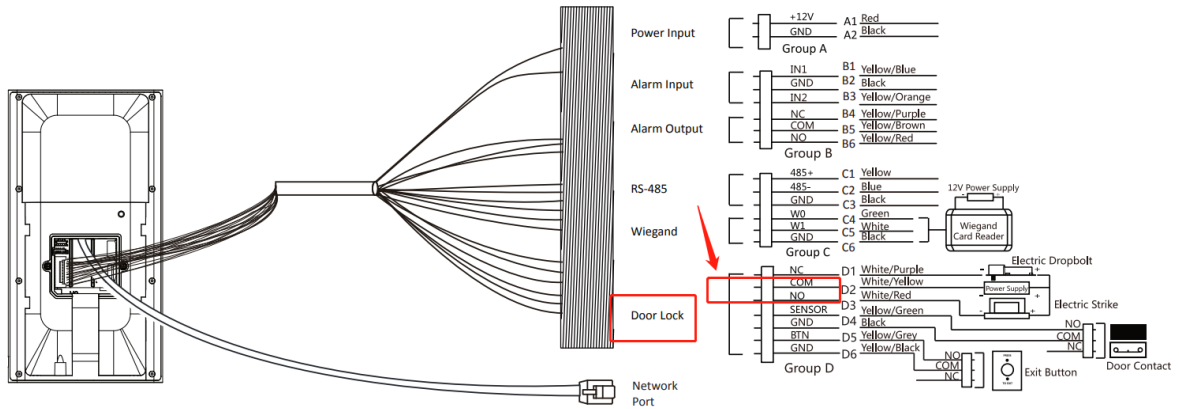
- Supports fingerprint and bluetooth function.
- 7-inch LCD touch screen, 2 Mega pixel wide-angle lens
- Recognition distance: 0.3 to 3 m
- Face recognition duration < 0.2 s/User
- Face recognition accuracy rate ≥ 99%
- Built-in M1 card, Felica card, and DESfire card reading module (Presents card on the screen to authenticate)
- Face mask detection
- 10,000 face capacity, 10,000 fingerprint capacity (With fingerprint module), 50,000 card capacity, and 150,000 event capacity
- Supports ISAPI, ISUP 5.0, TCP/IP (IPv4 and IPv6)
- Supports single person and multiple people (Up to 5 people) recognition

Add to Favorites

1. Physical Wiring

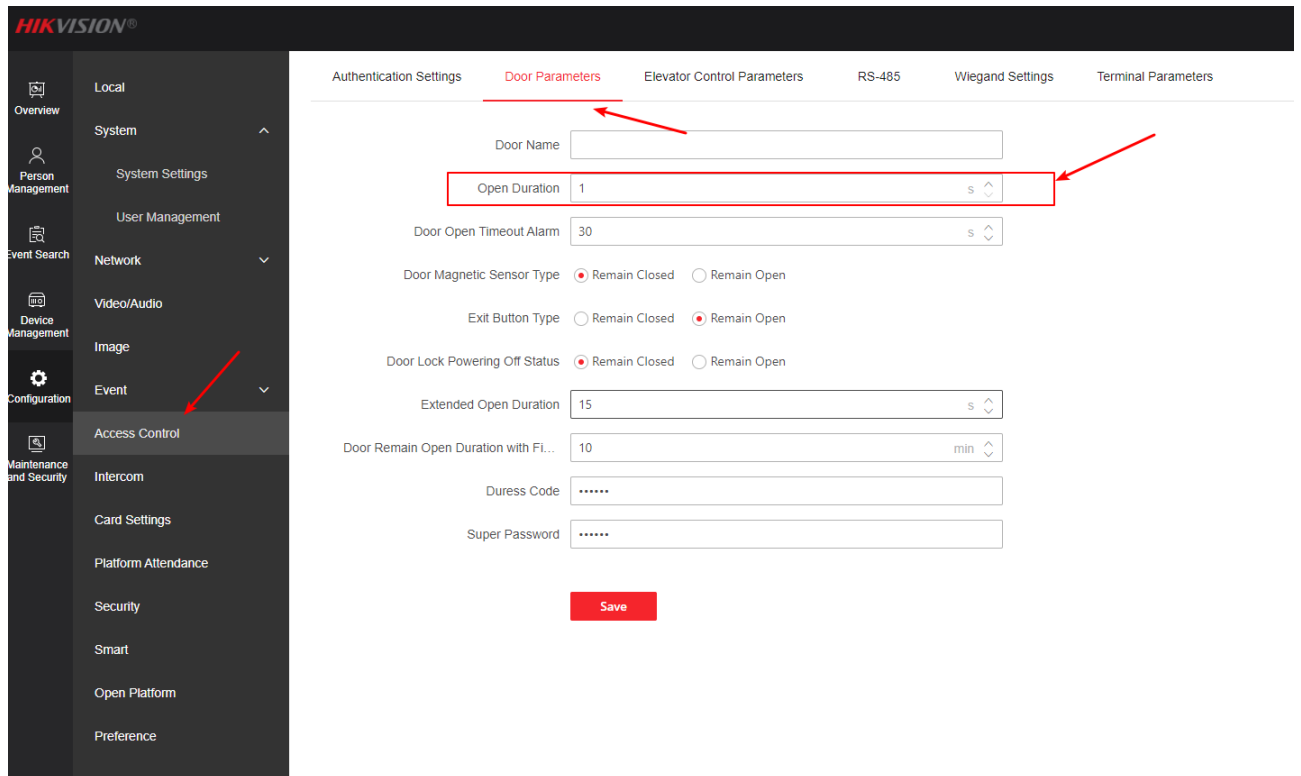
You can find Door Lock label, and using COM /NO connect to the 3rd turnstile.

How to use the IO signal of the lock relay of the face terminal



2. Configuration

Usually we need to change the Open Duration of the lock relay, configure it to 1s, default is 5s.





See Far, Go Further